

EMERGENCY EXIT SLIDING DOOR **BREAK-OUT / BREAK-IN**



The Gilgen sliding door system SLX Break-Out / Break-In offers an unobstructed and contact-less passage in everyday life as well as a safe escape route in the event of an emergency.

Emergency escape route

In the event of an emergency, the door system can be opened up in a safe, trouble-free way. If an incident arises, the sliding doors – which are fitted with hinges – can be opened manually with the same swivel action as a normal door to provide an escape exit and rescue access. Especially helpful in the event of panic.

Practical full-width opening system

Push open the pivoted sliding door leaves and side door panels to create a wide, practical opening for transport access or for use in summer.

FLUVERI door leaf locking mechanism

For night-time operation, the door can be fitted with an optional FLUVERI multi-point locking mechanism. Available in both manual and automatic configurations, it offers additional night-time protection against forced entry. The release lever allows the locked door to be opened from the inside.

Glazing and infill options

- Safety glass (ESG, VSG) 6 ...16 mm
- Insulating glass (IV-ESG, IV-VSG) 24 mm
- Infill's made of plastic, aluminium and timber

Surface finish of aluminium profiles

- Anodised (coloured or colourless)
- RAL colours, Polyester powder coating (PPC)

Safety-tested

- TÜV-tested

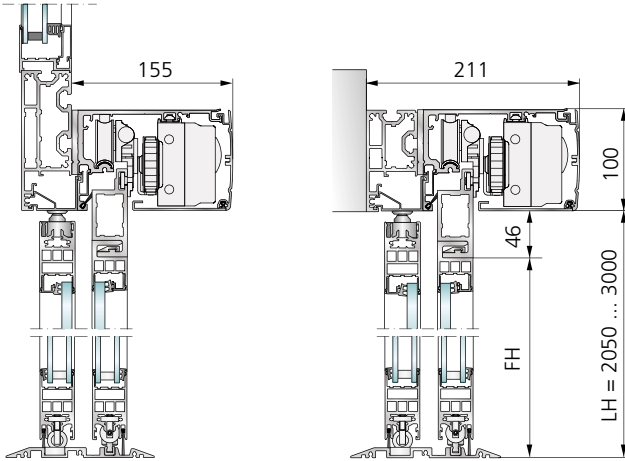


Possible configurations

Gilgen SLX-BO/BI sliding door drive unit, combined with the Gilgen PSX profile system

Rigid frame construction, with optional glazed overhead panel

Lintel mounting

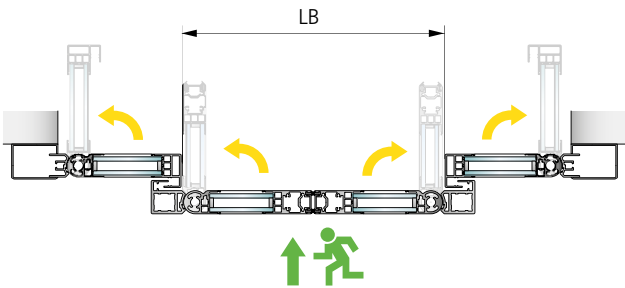


Range of application for Gilgen SLX-BO/BI bi-parting sliding door

Clear opening width (LB)	1000 - 2500 mm
Max. door leaf weight	2 x 120 kg
Clear height (LH)	2050 - 3000 mm Standard 2100 mm External doors max. 2500 mm

The Gilgen SLX Break-Out sliding door with swivelling side panels

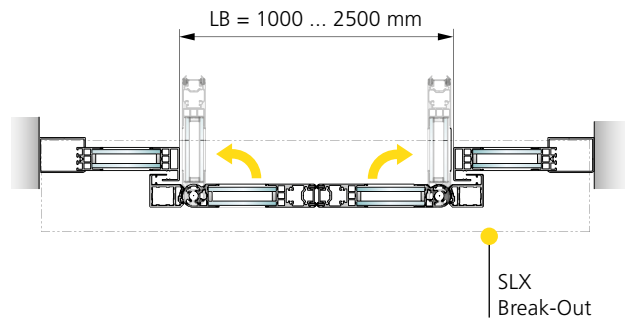
The door leaves and side panels can be swivelled in any position for emergency opening in the direction of escape.



The Gilgen SLX Break-Out sliding door with fixed side panels*

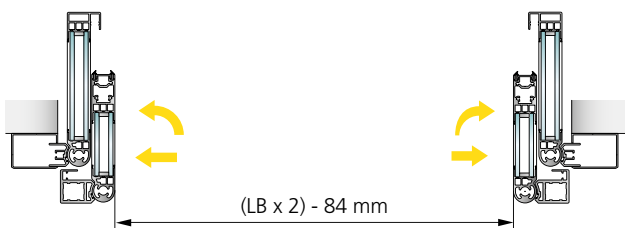
The sliding leaves can be swivelled manually from their closed position.

*Not approved for use in Germany



The Gilgen SLX Break-Out sliding door with swivelling side panels

The manually swivelling door leaves and side panels can be positioned to leave the entire doorway free for summer use and transport access.



The Gilgen SLX Break-In sliding door with fixed side panels

As an inside door for wind protection, for example

